

Prices			
Model	Quantity		
	1-5	6-9	10+
Cool Plus  1461-3 1461-4 1461-5	\$45 ⁵⁰	\$43 ²⁰	\$41 ⁰⁰
Cool Plus mini  0562-3 0562-4 0562-5	\$36 ⁵⁰	\$34 ²⁰	\$32 ⁴⁰

*Shipping costs extra

Order

- * online: www.styledinjapan.com
- * email: denise@styledinjapan.com
- * fax: 07 3348 7075
- * phone: 0417 560 527

Payment

- * PayPal
- * cheque
- * direct bank transfer

Styled in Japan is an Australian business specialising in anti-UV sun umbrellas. We are committed to offering designs of the highest quality that are suitable for an Australian school environment.



Denise Fenwick, business owner, is a long term resident of Japan where sun umbrellas are commonly used for protection from the sun and harmful UV radiation.

She is a former South Australian physical education teacher who has been using sun umbrellas since being diagnosed with a melanoma in 1993.

Contact

denise@styledinjapan.com
0417 560 527

Styled in Japan ABN 20 014 158 595

NEW

Perfect for
school playground
duty

Under the Australian sun
be cool!



Finding shade was never easier

Cool Plus sun umbrellas

- * block 99% UV radiation
- * block heat and light
- * provide cooling relief
- +
 - * lightweight
 - * sturdy
 - * waterproof

Styled in Japan
www.styledinjapan.com

Cool Plus anti-UV sun umbrellas have an important role in your school's multi-level sun safety strategy.

Cool Plus sun umbrellas

- * block sunlight and create deep shade
- * have a significant cooling effect
- * are a practical, portable shade solution
- * are an excellent alternative to hats
- * provide much more shade than hats
- * can be shared by multi-users
- * can be used in the rain

How well does the **Cool Plus** block heat?

Heat blocking performance under laboratory conditions



1 Ordinary fabric: T/C (35% cotton, 65% polyester)

2 Cool Plus fabric: 100% polyester coated with silver polyurethane

UV test results

Wavelength range	
400-320 nm (Ultraviolet A)	> 99% blocked
320-280 nm (Ultraviolet B)	> 99% blocked

tested by Japan Synthetic Textile Inspection Institute Foundation

Cool Plus

Perfect for playground duty



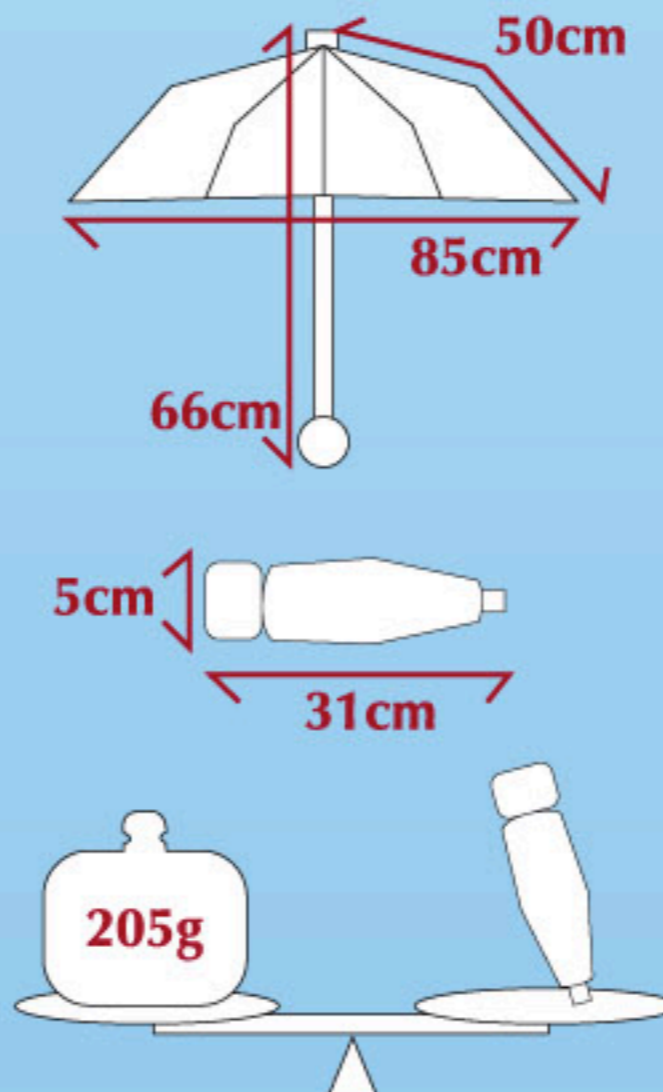
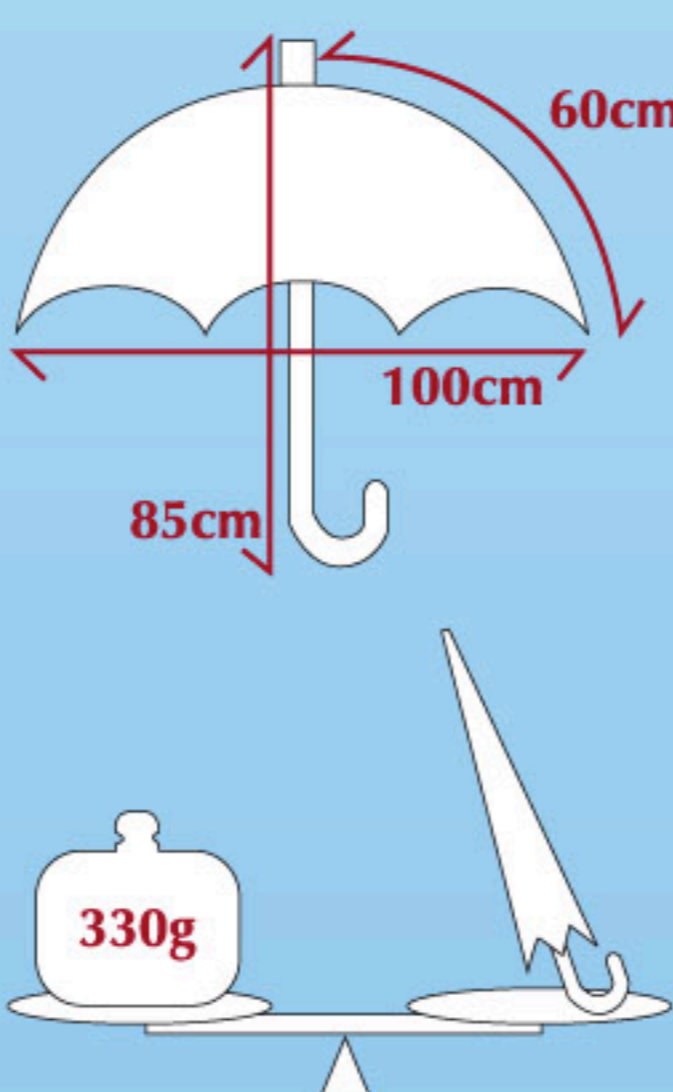
model 1461-4

Cool Plus mini

Fits easily in a bag



model 0562-3 mini



Colour selection



model 1461-3
model 0562-3 mini



model 1461-4
model 0562-4 mini



model 1461-5
model 0562-5 mini

Key features

Interior	100% yarn dyed polyester
Exterior	Five layers of silver polyurethane coating
Shaft	Aluminium
Ribs	Flexible glass-fibre reinforced plastic
Handle	Plastic
JSTIIF Certification	Japan Synthetic Textile Inspection Institute Foundation
JUPA	Entitled to bear Japan Umbrella Promotion Association mark



Quality Reliability Reassurance

'Slip-Slop-Slap-Seek Shade-Slide'
Be cool under the Aussie sun!

